



PRODUCT PORTFOLIO


for

SIGNAL FLASHER UNITS

2021-2022

(NOTE 12) UNREGULATED +12V
-12V

NOTICE TO ALL PERSONS
RECEIVING THIS DRAWING:
This drawing is only conditionally
issued, and neither receipt nor
possession thereof confers or
conveys any license
drawing or any test
information show
any right to rep
ing or any part
manufacture
Computer, v



GUILERA is developing a whole new range of Signal Flasher Units which may be **adapted to several type of lamps, Iso Led Clusters, Standard led clusters, and CAN communication.**

(NOTE 12) UNREGULATED +12V -12V

NOTICE TO ALL PERSONS RECEIVING THIS DRAWING: This drawing is only conditionally loaned, and neither receipt nor possession thereof confers or grants any license or right to reproduce or any part thereof. Computer, u drawing or any test information shown any right to reproduce or any part manufacture Computer, u

SIGNAL FLASHER UNITS

The ISO Standards concerning the Signal Flasher units, define several parameters, as the flashing frequency, the duty cycle, and the detection of a “lamp failure”.

LOAD

The rated load for the indicator turn lamps is 21W, but if instead of lamps, a Cluster Led is intended to use, the load is very low and the ECU / Signal Flasher Unit not identify it (flashing at double frequency, considering that an external turn indicator fails).

ISO LED CLUSTERS

(according ISO 13207-1)

Some Led Clusters intended as turn indicator has been evolved, including additional electronics, to allow the ECU / Signal Flasher Unit to “identify” the Led Cluster with the generation of a pulse by itself, indicating that works as expected as a lamp.

STANDARD LED CLUSTERS

(not according ISO 13207-1)

This kind of Led Clusters are not able to generate the pulse and are difficult to "identify" by the ECU/Signal Flasher Unit, due that the load is not equivalent to a lamp.

WE GO ON

GUILERA started developing Signal Flasher Units compatible with lamps / ISO Leds Clusters several years ago, but now we go on with a new generation of **Signal Flasher Units capable of working with lamps, ISO Led Clusters or Standard Led Clusters**, and also with **CAN communication**.



Agricultural machinery



Light EV / Motorcycles



SIGNAL FLASHER UNITS

MAIN APPLICATIONS



Trucks / Buses








Material handling machinery



Construction machinery



APPLICATION

	    				LOAD			
	2(4)	2+1(6)	3+1(8)	2+1+1(8)	3+1+1(10)	21W	ISO LED	STD LED
12V		01L4200				☑	☑	*
		01L5200				☑	☑	*
			01L4540			☑	☑	*
				01L6014		☑	☑	*
		01L6650C				☑	☑	*
				01L6660C		☑	☑	*
		01LA400				☑	☑	☑
		01LA500				☑	☑	*
		01LF000				☑	☑	☑
				01LF010		☑	☑	☑
				01LFH00	☑	☑	☑	
24V		01L4424				☑	☑	*
		01L6024				☑	☑	*
			01L6028			☑	☑	*
				01L6214		☑	☑	*



Please consider the following proposal intended to help your engineering department to find the best solution.

* Standard led cluster compatible with optional PN 01L999

SIGNAL FLASHER UNITS

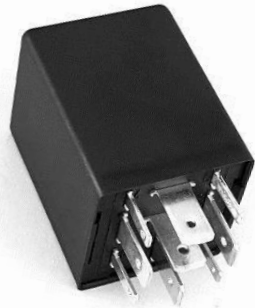
HOUSING



TYPE I

[01L4200](#)

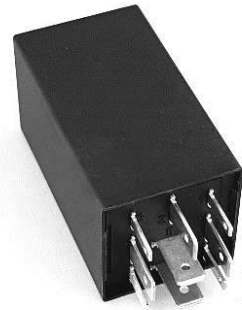
[01L5200](#)



TYPE II

[01L4424](#)

[01LA400](#)



TYPE III

[01L4540](#)

[01LA500](#)



TYPE IV

[01L6014](#)

[01L6214](#)

[01L6650C](#)

[01L6660C](#)



TYPE V

[01L6024](#)

[01L6028](#)



TYPE VI

[01LF000](#)

[01LF010](#)



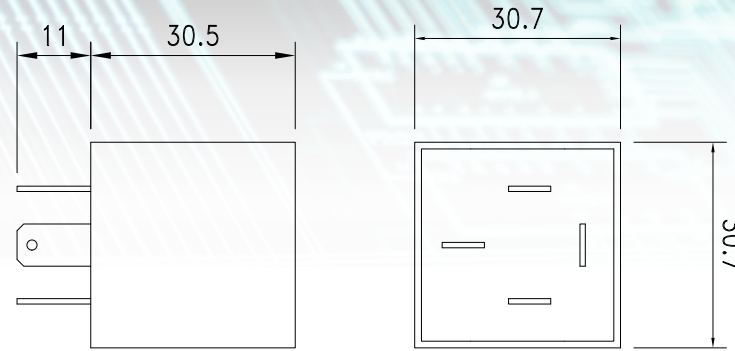
TYPE VII

[01LFH00](#)

01L4200

HOUSING

- Type I

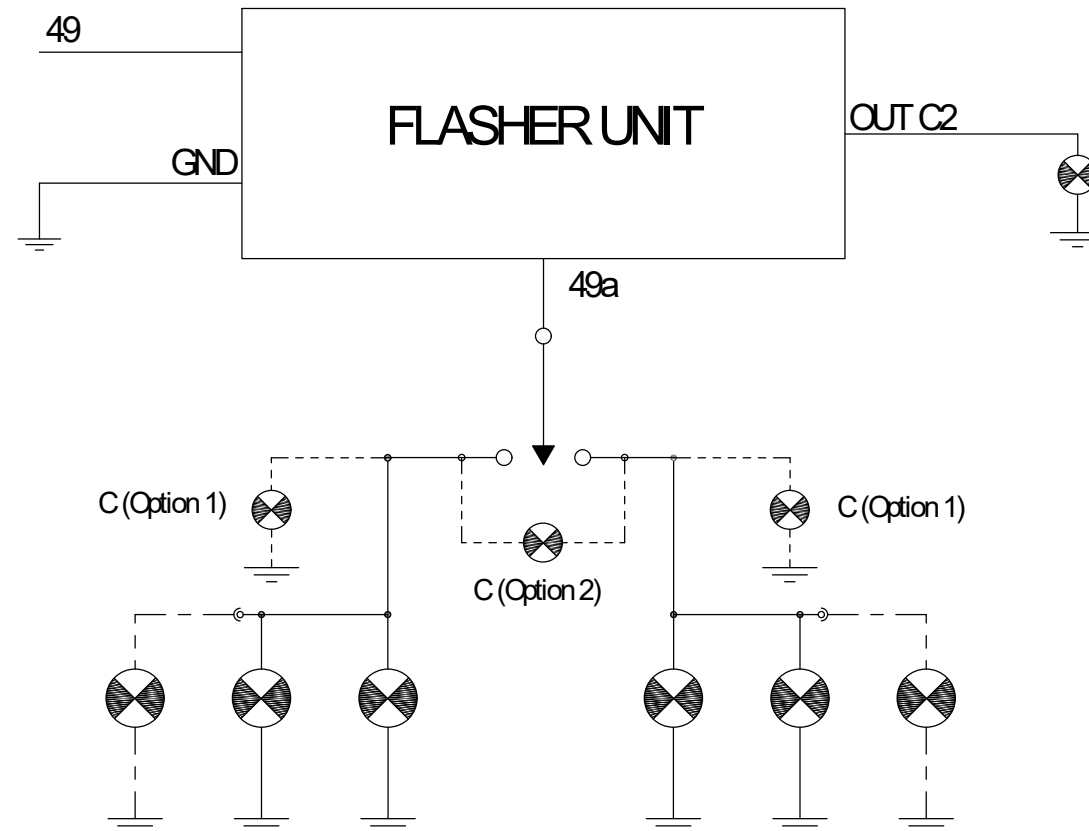
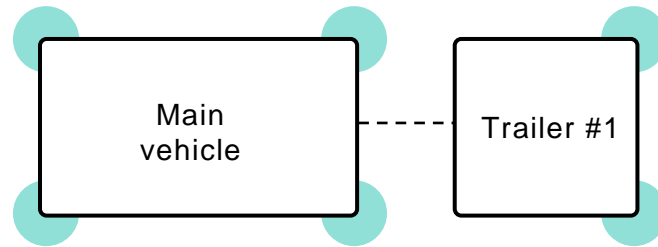


LOAD TYPE

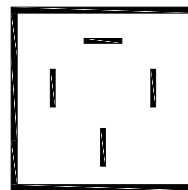
- 21W Bulb
- ISO Led Cluster
- * Standard Led (w/opt. P.N. 01L999)

APPLICATION

12V 2+1x21W (6)



CONNECTIONS

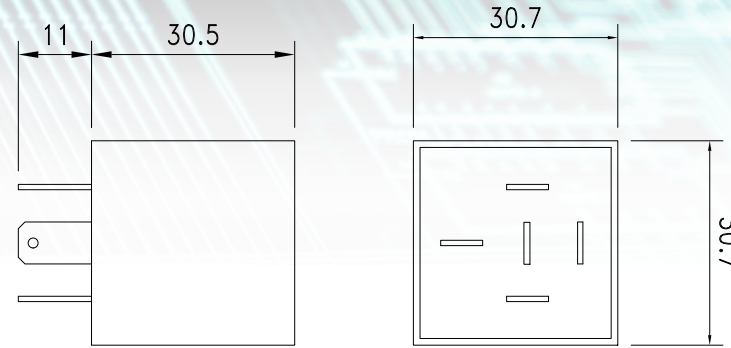


ISO 7588-C

01L5200

HOUSING

- Type I

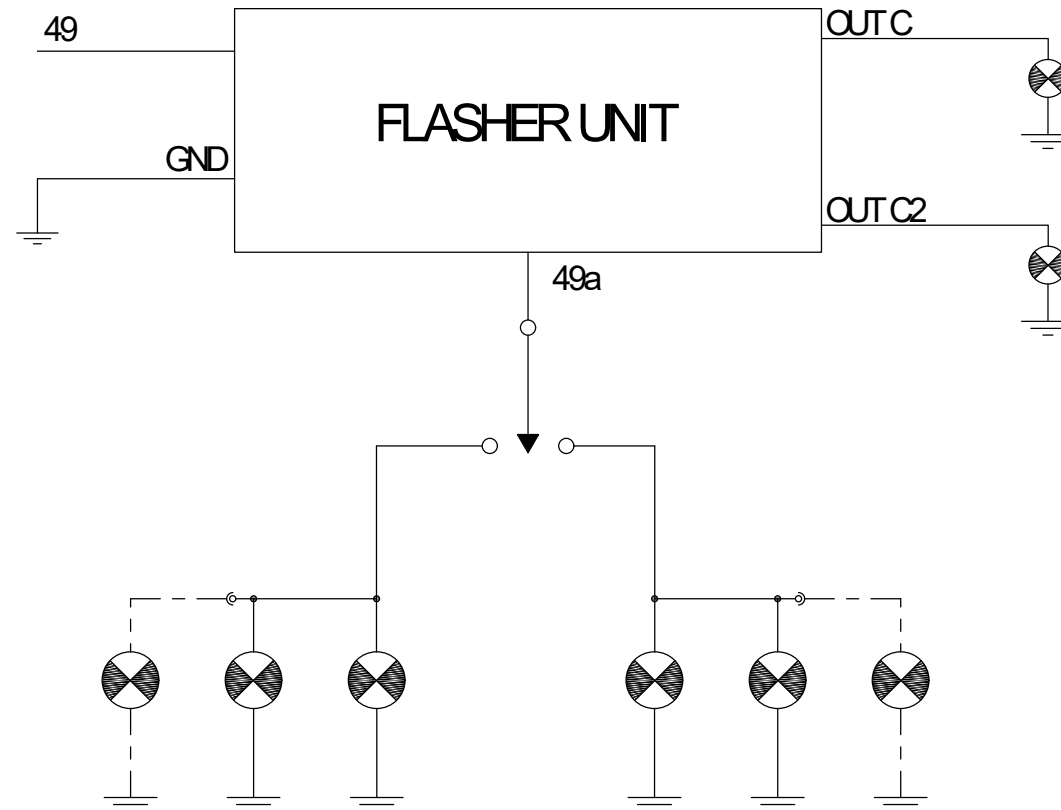
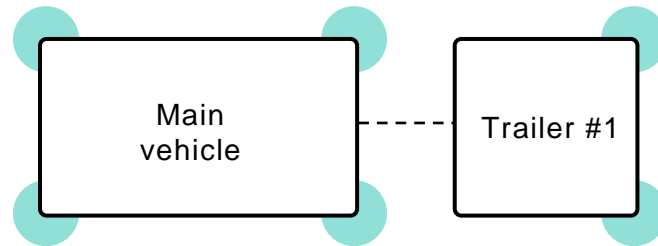


LOAD TYPE

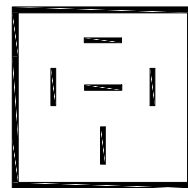
- 21W Bulb
- ISO Led Cluster
- * Standard Led (w/opt. P.N. 01L999)

APPLICATION

12V 2+1x21W (6)



CONNECTIONS

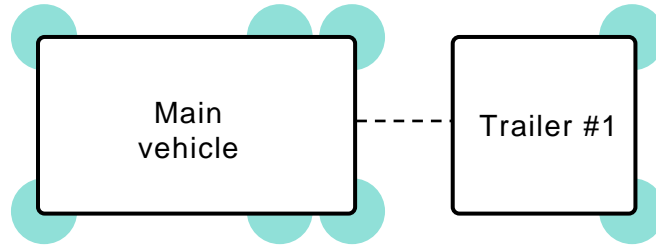


ISO 7588-C

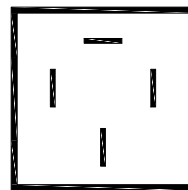
01L4540

APPLICATION

12V 3+1x21W (8)



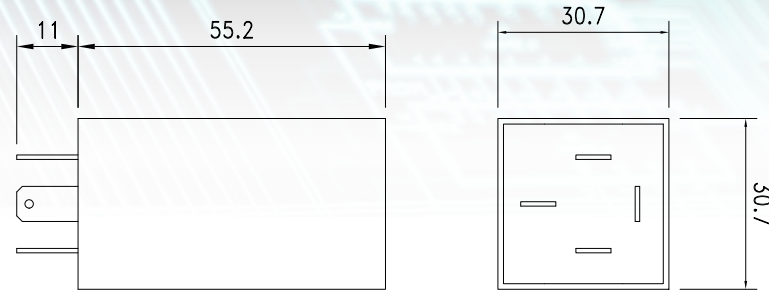
CONNECTIONS



ISO 7588-C

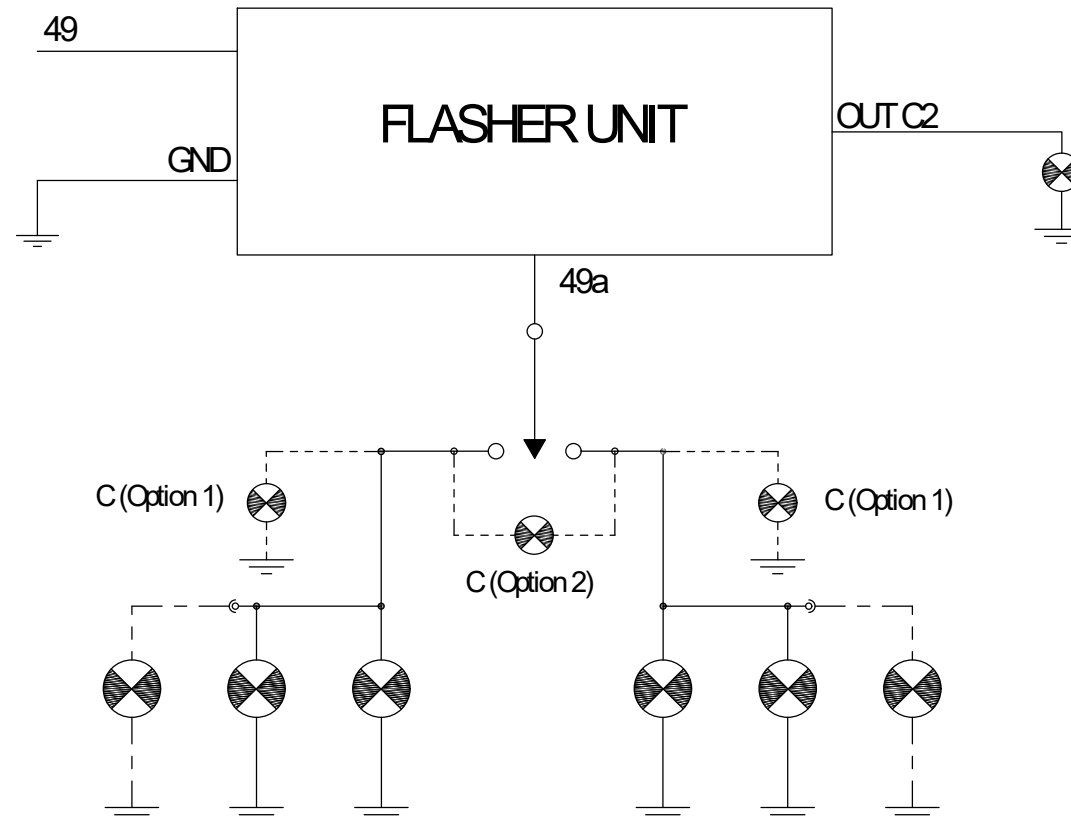
HOUSING

- Type III



LOAD TYPE

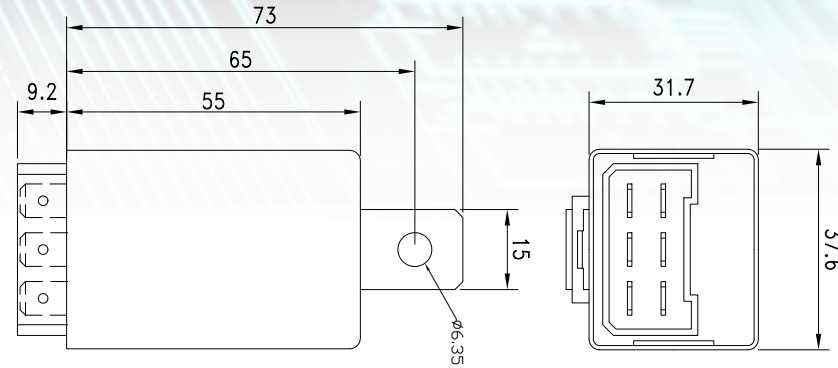
- 21W Bulb
- ISO Led Cluster
- * Standard Led (w/opt. P.N. 01L999)



01L6014

HOUSING

- Type IV

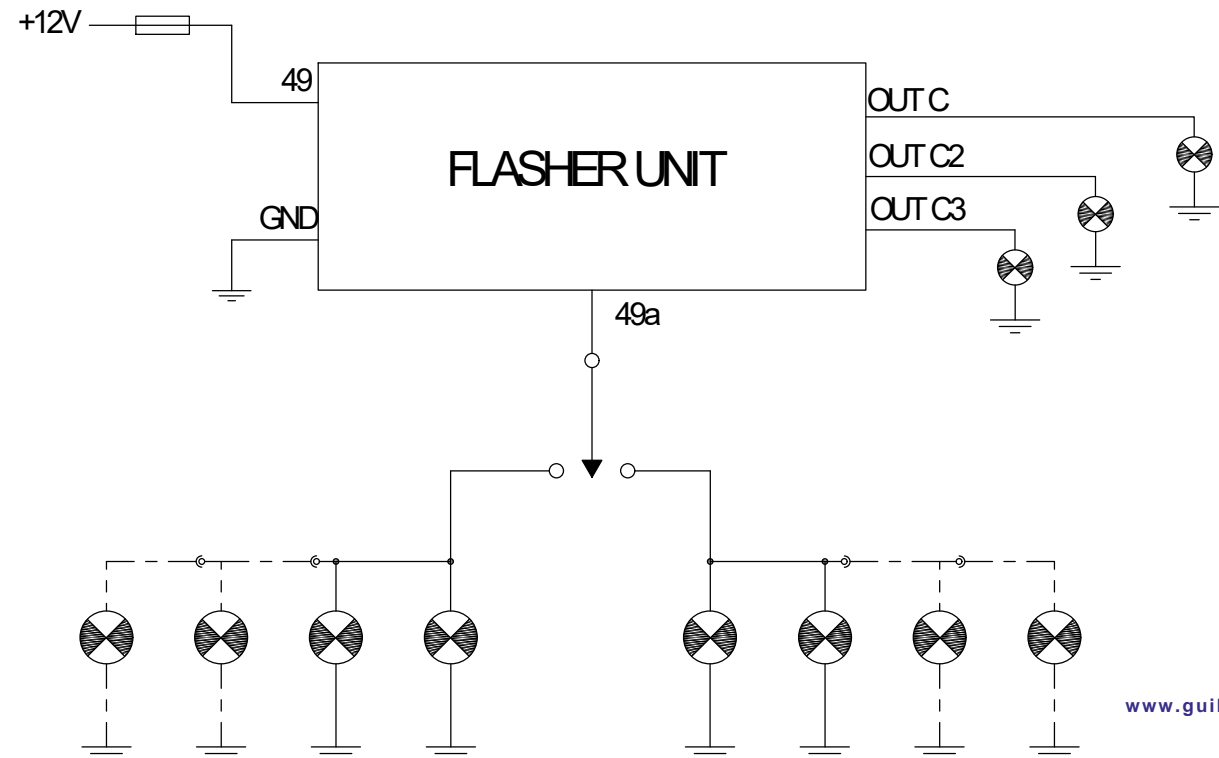
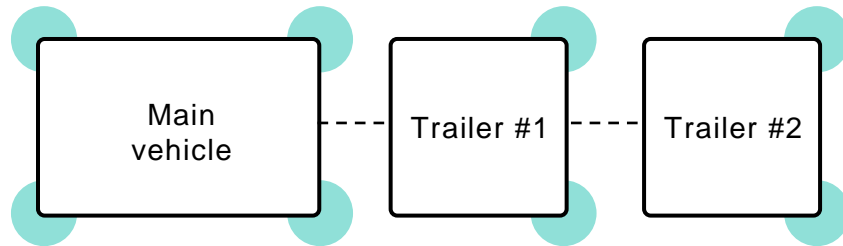


LOAD TYPE

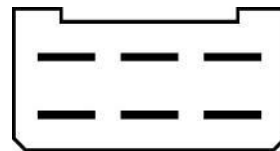
- 21W Bulb
- ISO Led Cluster
- * Standard Led (w/opt. P.N. 01L999)

APPLICATION

12V 2+1+1x21W (8)



CONNECTIONS

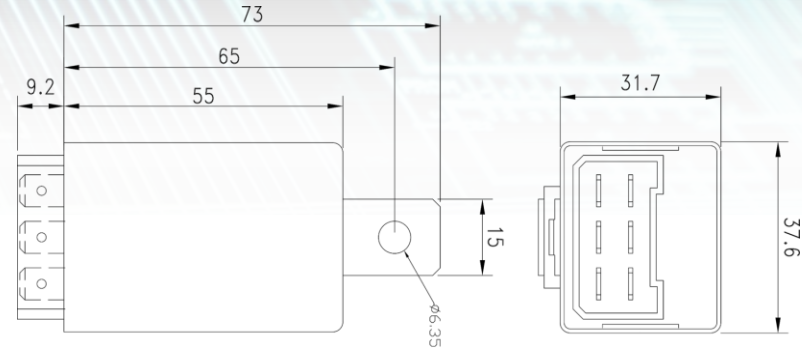


MATCHES WITH
TYCO® / AMP - 280314

01L6650C

HOUSING

- Type IV

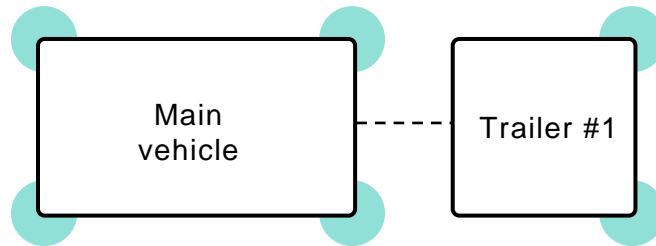


LOAD TYPE

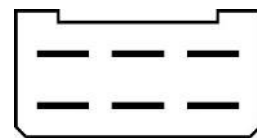
- 21W Bulb
- ISO Led Cluster
- * Standard Led (w/opt. P.N. 01L999)

APPLICATION

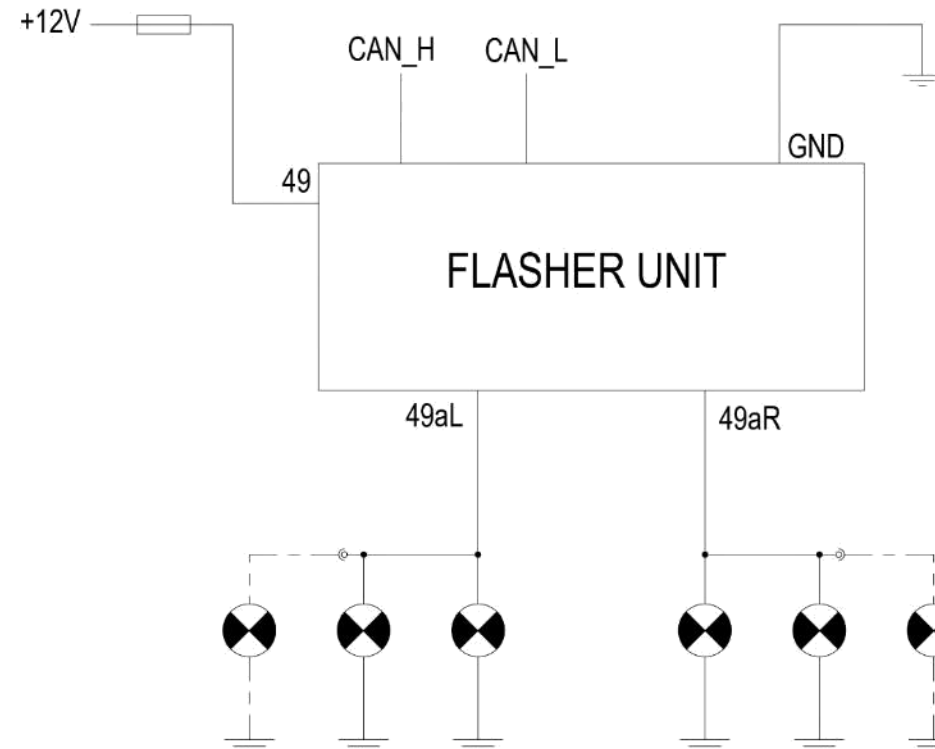
12V 2+1x21W (6) CAN



CONNECTIONS



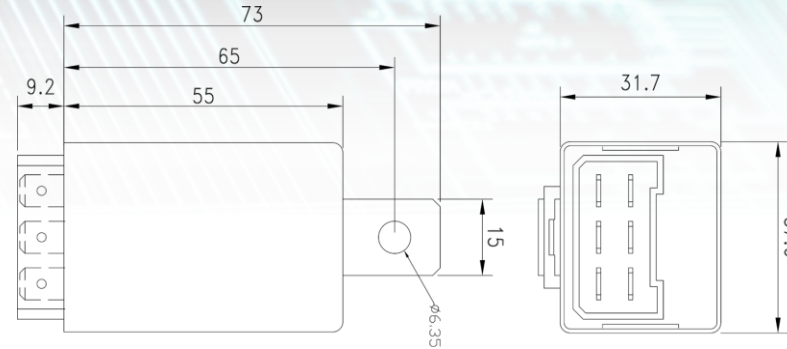
MATCHES WITH
TYCO® / AMP - 280314



01L6660C

HOUSING

- Type IV

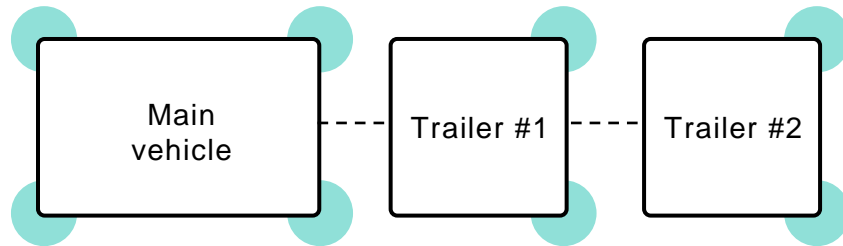


LOAD TYPE

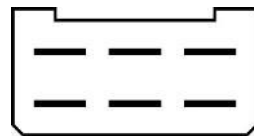
- 21W Bulb
- ISO Led Cluster
- * Standard Led (w/opt. P.N. 01L999)

APPLICATION

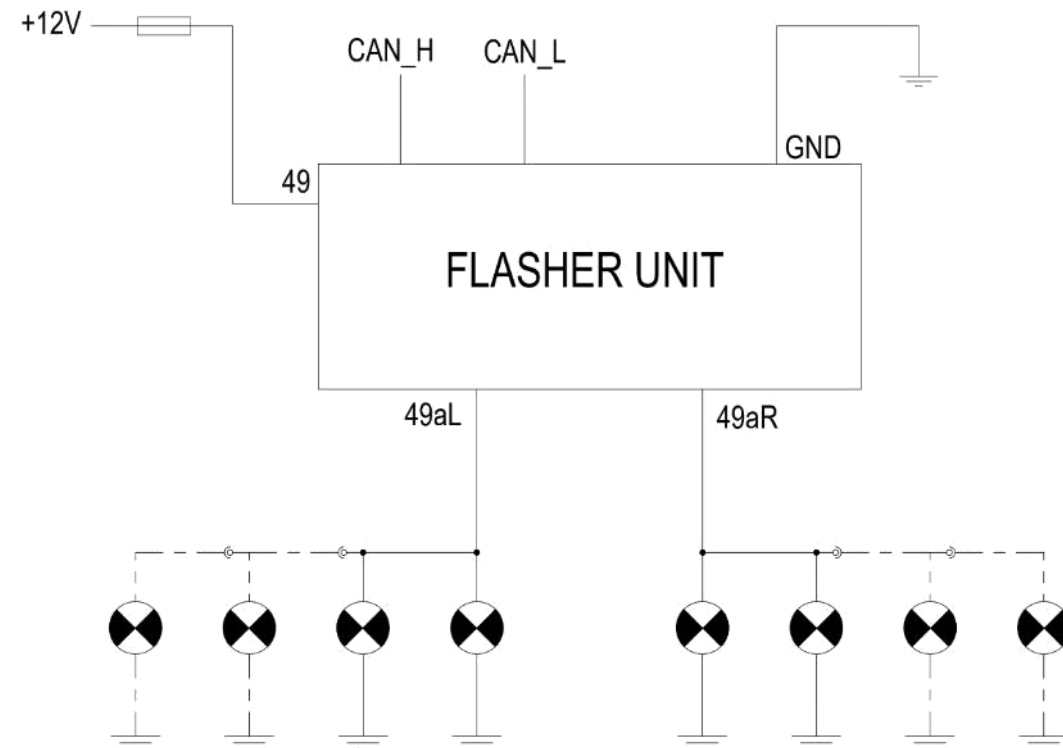
12V 2+1+1x21W(8) CAN



CONNECTIONS

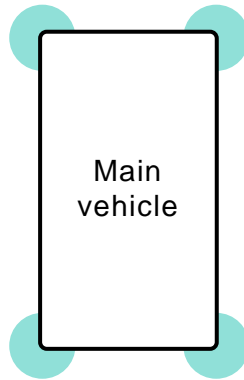


MATCHES WITH
TYCO® / AMP - 280314

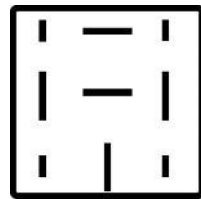


01LA400

APPLICATION
12V 2x21W (4)



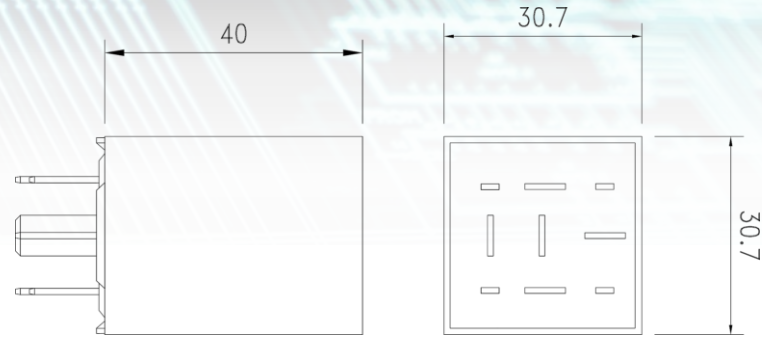
CONNECTIONS



ISO 7588-C

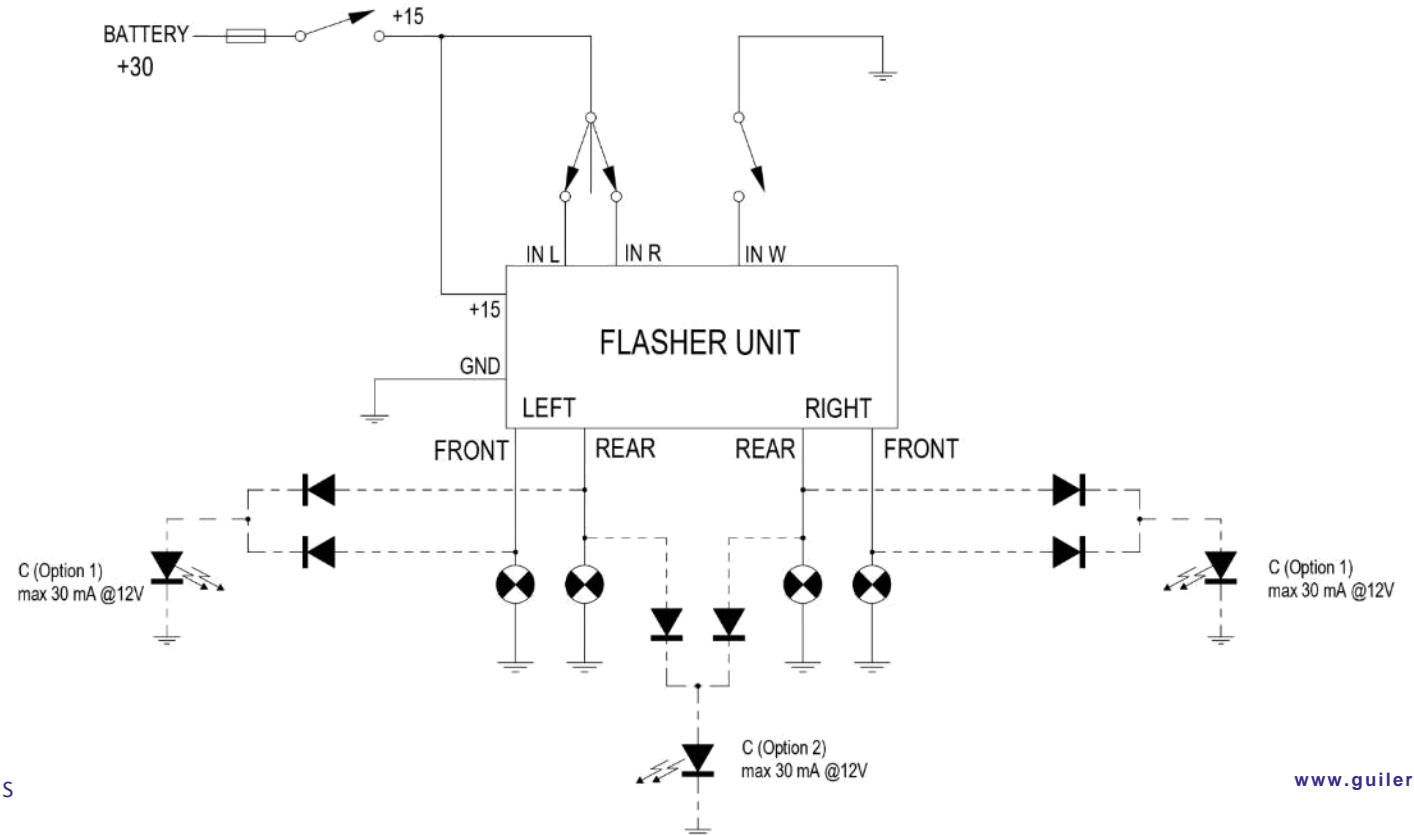
HOUSING

- Type II



LOAD TYPE

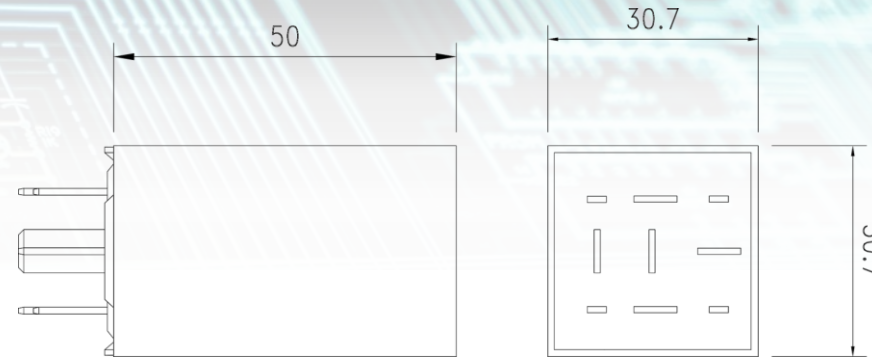
- 21W Bulb
- ISO Led Cluster
- Standard Led



01LA500

HOUSING

- Type III

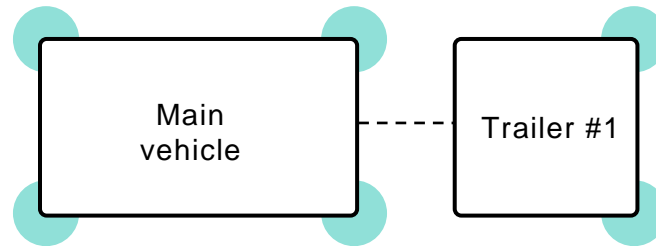


LOAD TYPE

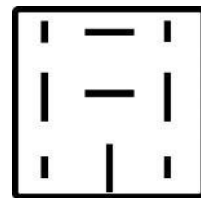
- 21W Bulb
- ISO Led Cluster
- * Standard Led (w/opt. P.N. 01L999)

APPLICATION

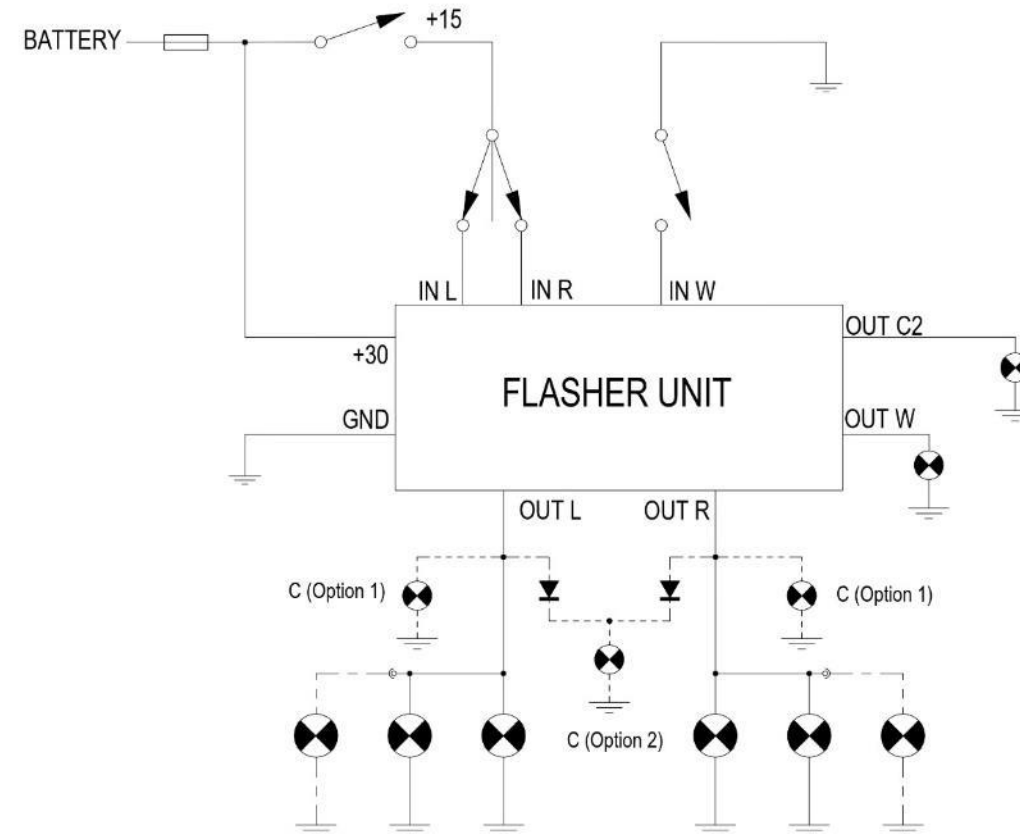
12V 2+1x21W (6)



CONNECTIONS



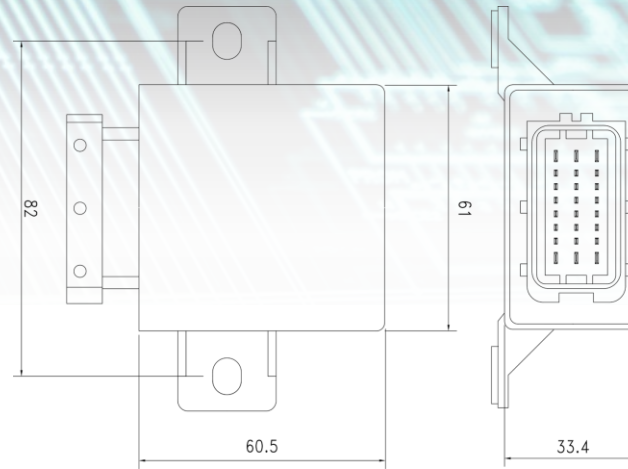
ISO 7588-C



01LF000

HOUSING

- Type VI

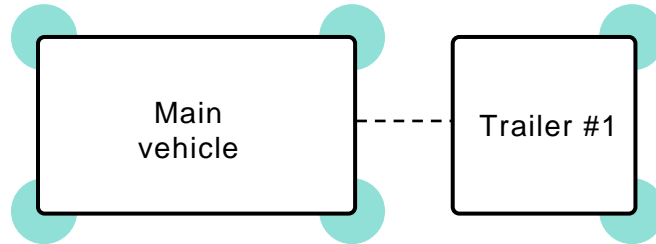


LOAD TYPE

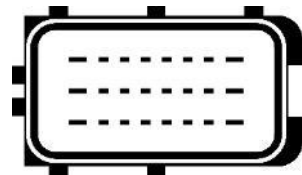
- 21W Bulb
- ISO Led Cluster
- Standard Led

APPLICATION

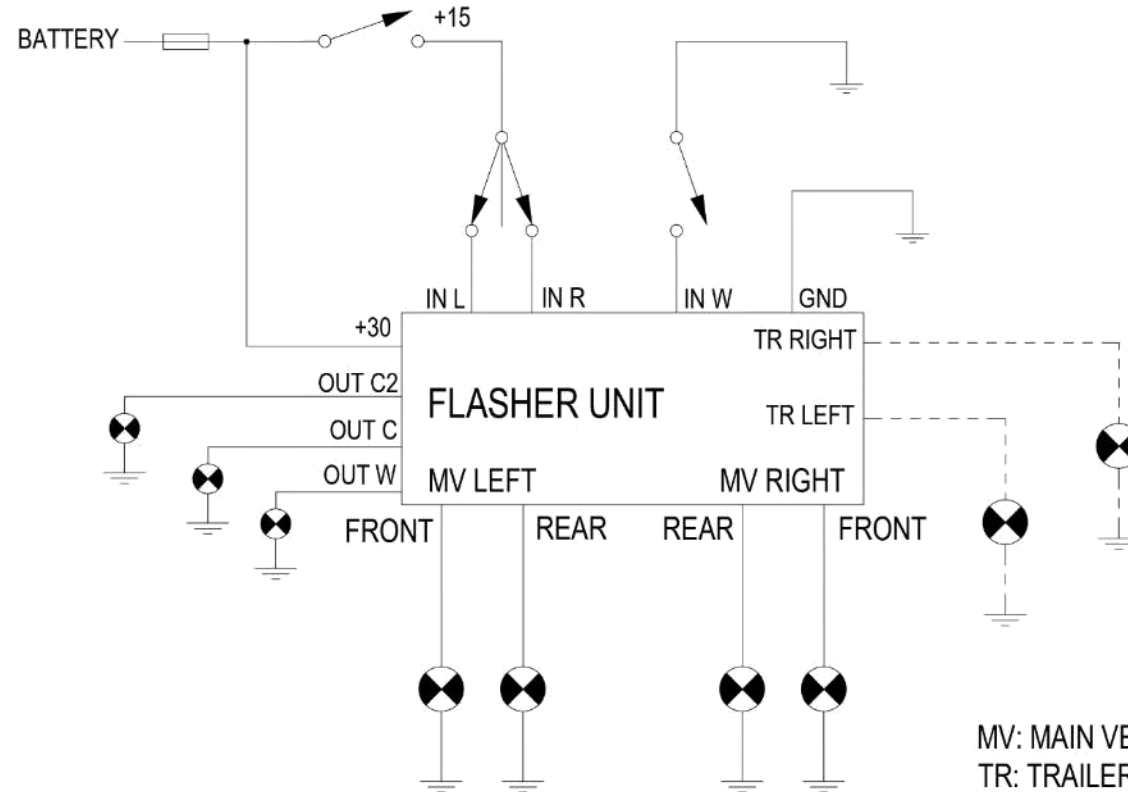
12V 2+1x21W (6)



CONNECTIONS



APTIV ® - FSC 308654

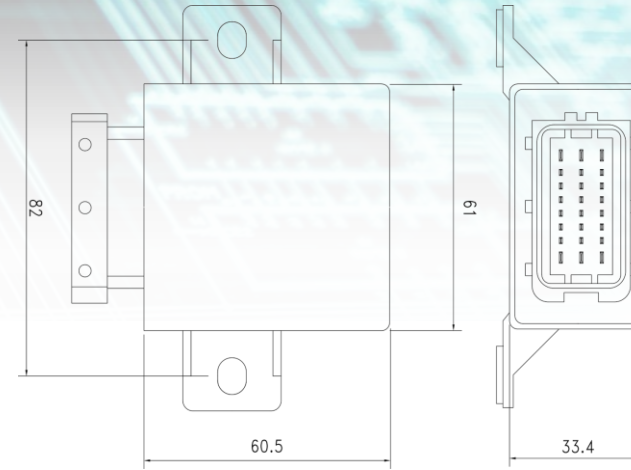


MV: MAIN VEHICLE
TR: TRAILER

01LF010

HOUSING

- Type VI

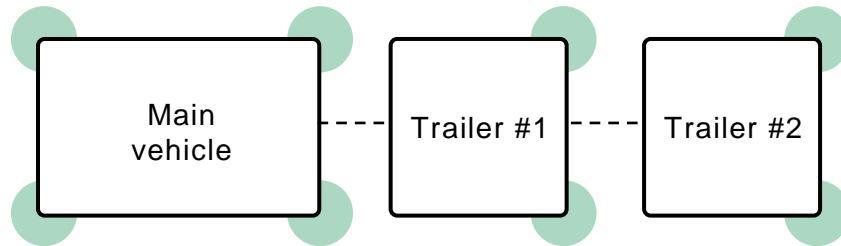


LOAD TYPE

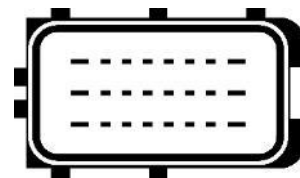
- 21W Bulb
- ISO Led Cluster
- Standard Led

APPLICATION

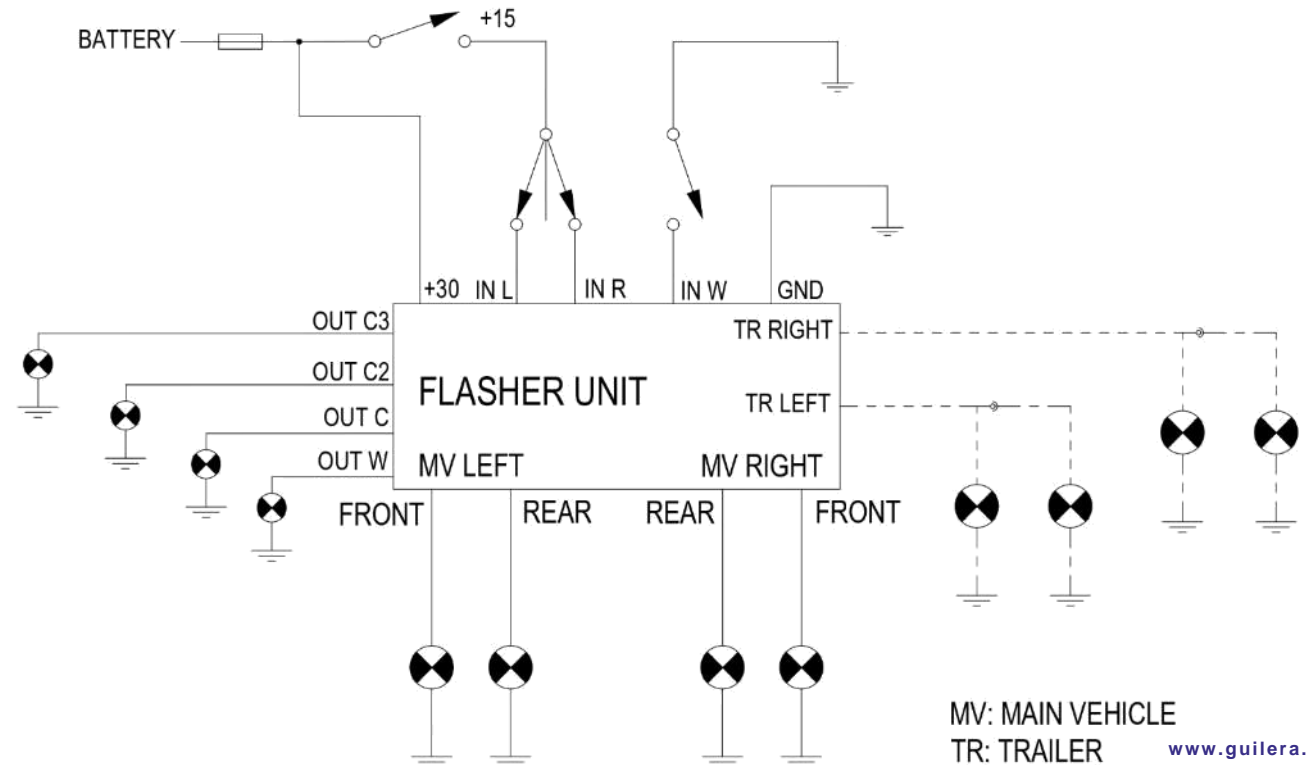
12V 2+1+1x21W (8)



CONNECTIONS



APTIV® - FSC 308654



MV: MAIN VEHICLE

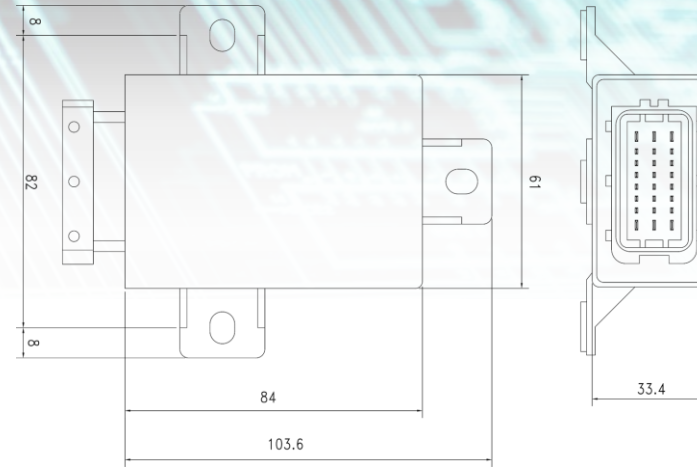
TR: TRAILER

www.guilera.com

01LFH00

HOUSING

- Type VII

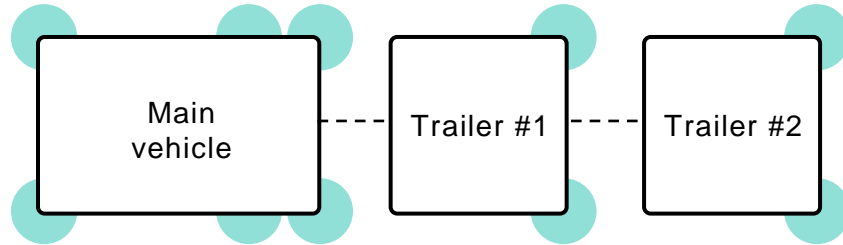


LOAD TYPE

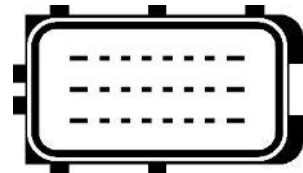
- 21W Bulb
- ISO Led Cluster
- Standard Led

APPLICATION

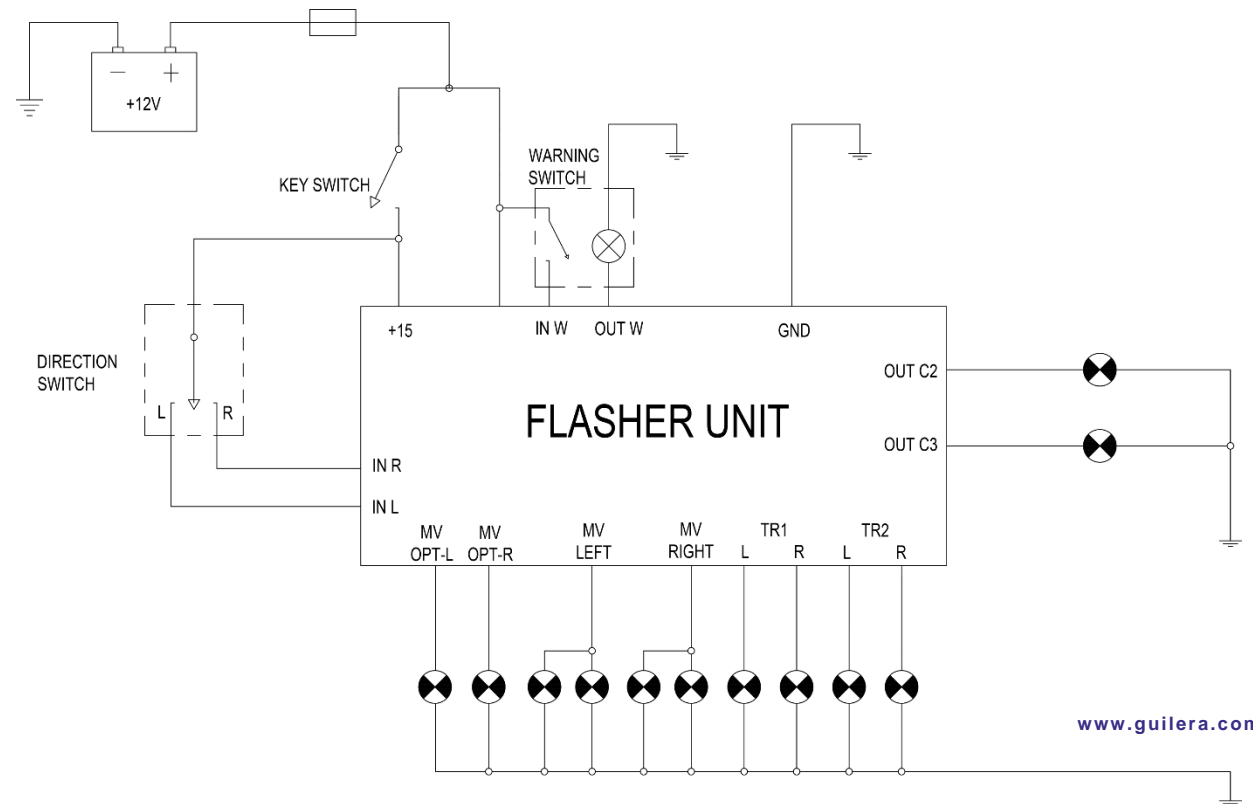
12V 3+1+1x21W (10)



CONNECTIONS



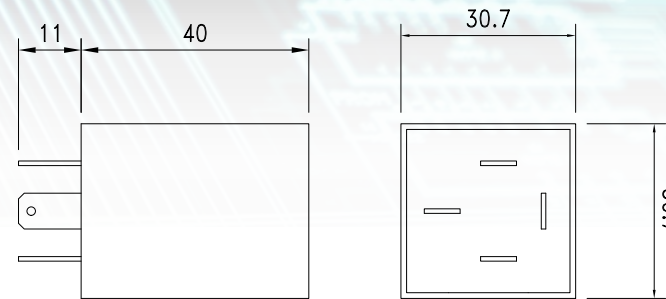
APTIV ® - FSC 308654



01L4424

HOUSING

- Type II

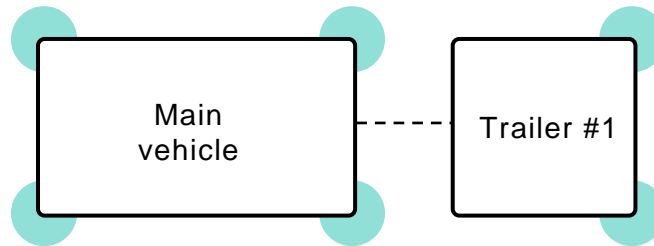


LOAD TYPE

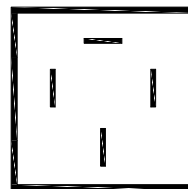
- 21W Bulb
- ISO Led Cluster
- * Standard Led (w/opt. P.N. 01L999)

APPLICATION

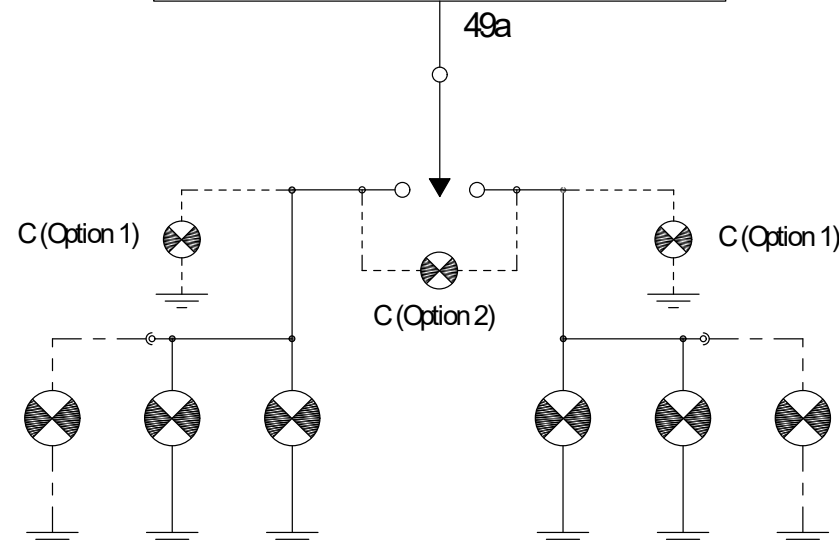
24V 2+1x21W (6)



CONNECTIONS



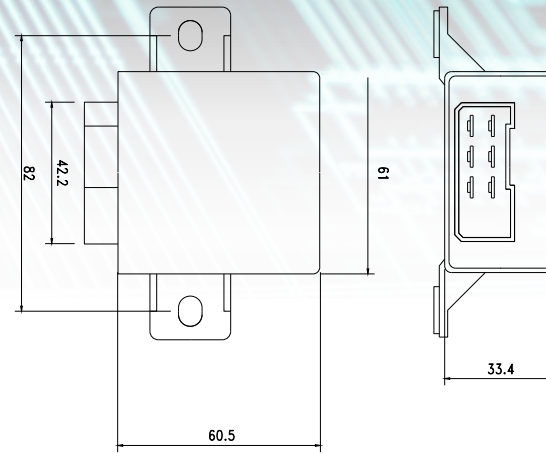
ISO 7588-C



01L6024

HOUSING

- Type V

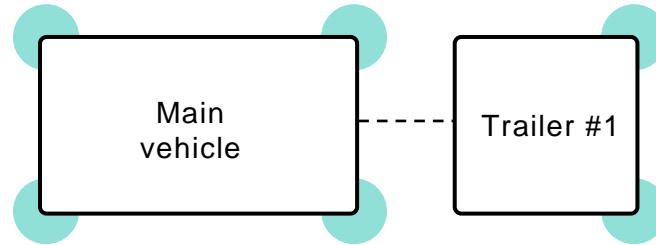


LOAD TYPE

- 21W Bulb
- ISO Led Cluster
- * Standard Led (w/opt. P.N. 01L999)

APPLICATION

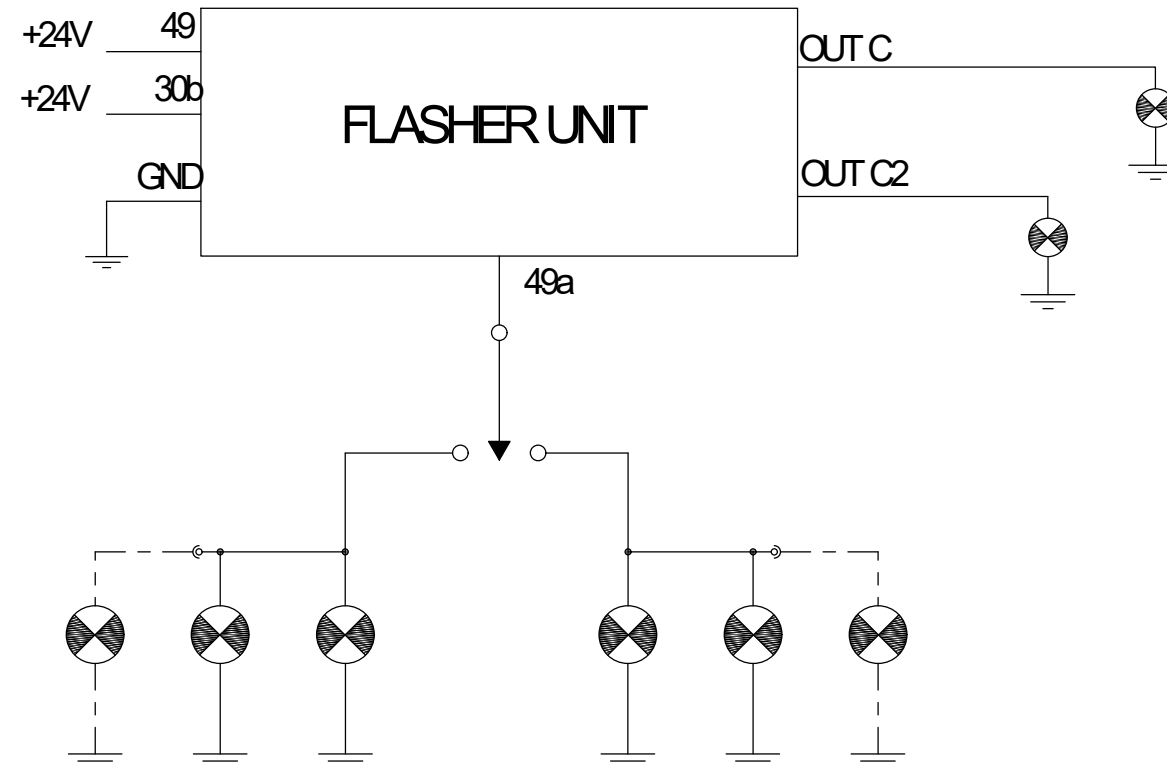
24V 2+1x21W (6)



CONNECTIONS



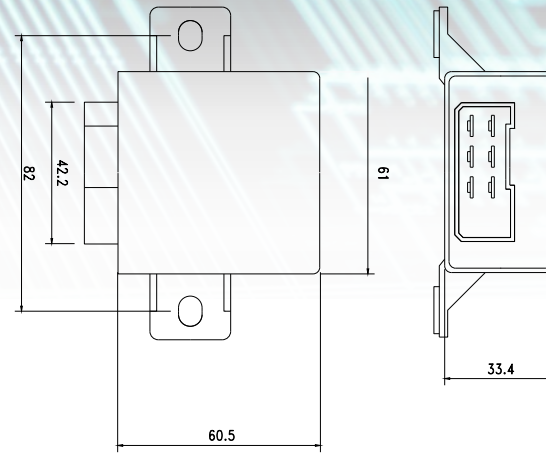
MATCHES WITH
TYCO ® / AMP - 280314



01L6028

HOUSING

- Type V

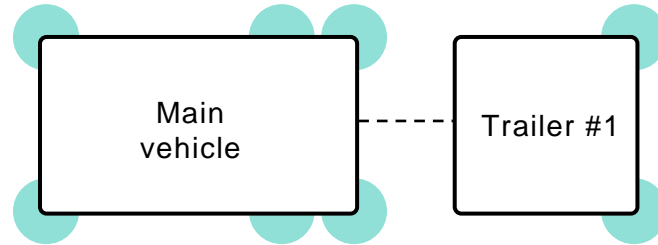


LOAD TYPE

- 21W Bulb
- ISO Led Cluster
- * Standard Led (w/opt. P.N. 01L999)

APPLICATION

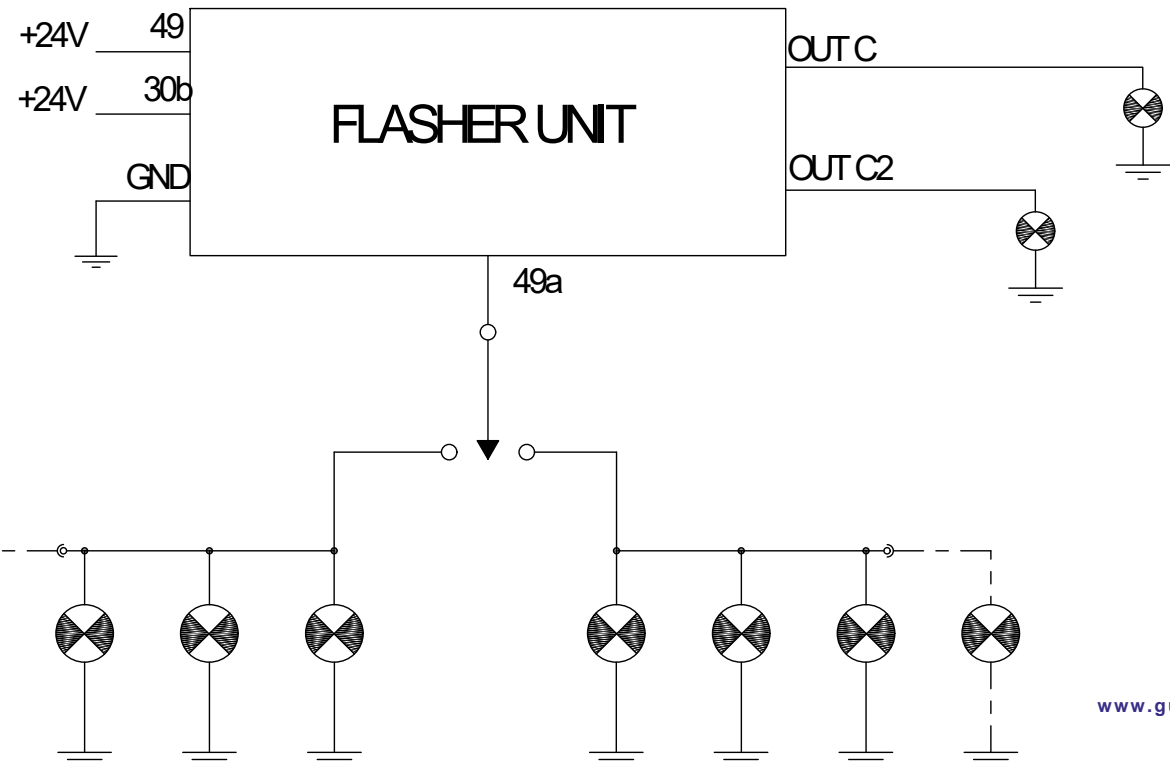
24V 3+1x21W (8)



CONNECTIONS



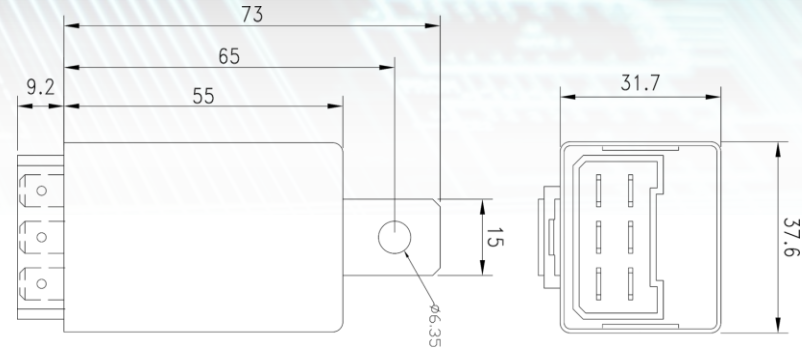
MATCHES WITH
TYCO ® / AMP - 280314



01L6214

HOUSING

- Type IV

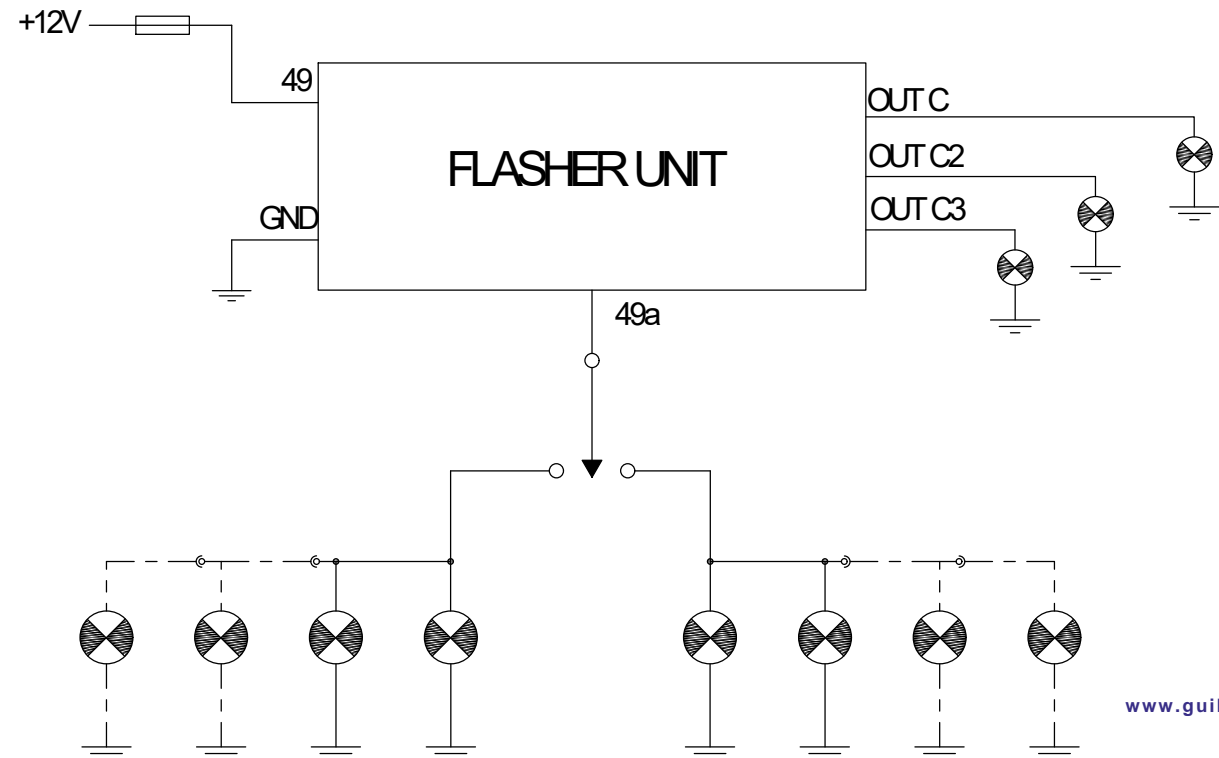
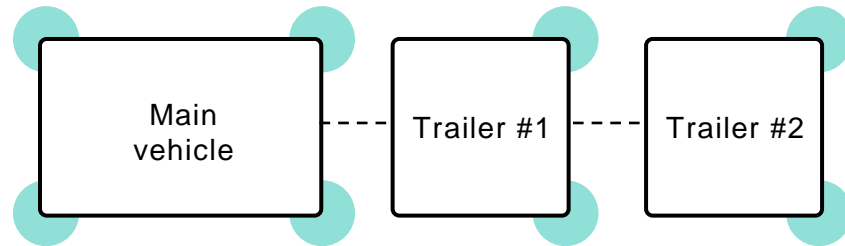


LOAD TYPE

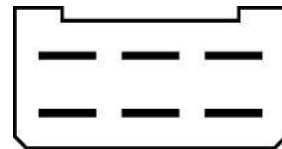
- 21W Bulb
- ISO Led Cluster
- * Standard Led (w/opt. P.N. 01L999)

APPLICATION

24V 2+1+1x21W (8)



CONNECTIONS



MATCHES WITH
TYCO® / AMP - 280314

